

Make your own nsr pirate hat

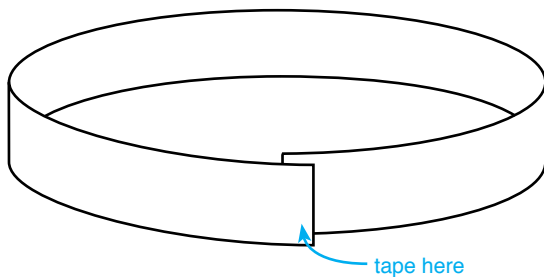
Follow the simple *instructions*, cut out the *templates* and in half an hour you'll have your very own NSR pirate hat. So no excuses!

STEP ONE : Make the hat band

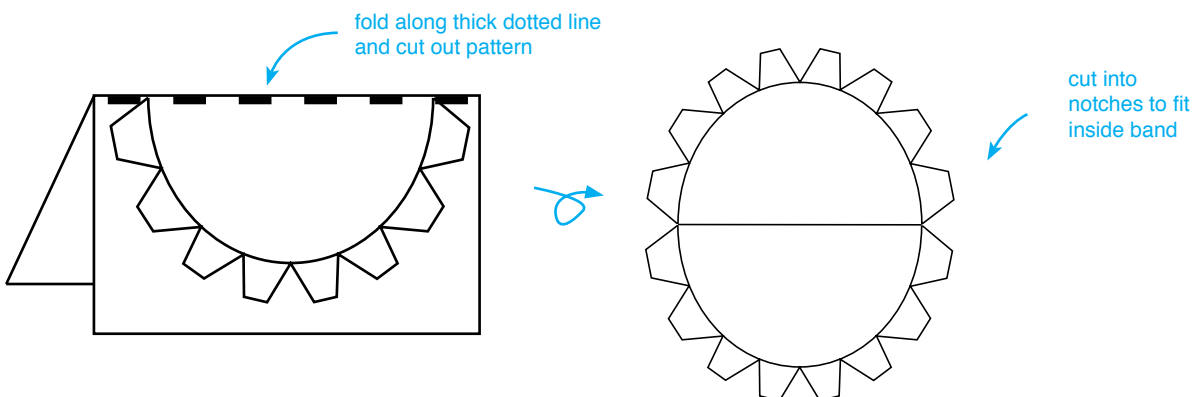
1. Cut a piece of cardboard 55 cm long and 7.5 cm wide



2. Wrap round head, overlapping ends by 2 - 3 cm and glue.



STEP TWO : Make the top

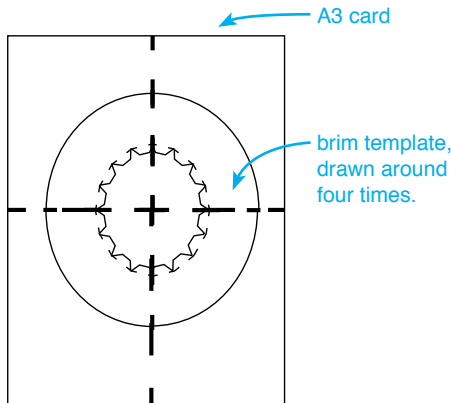


2. Fold the *top* template in half along the thick dotted line and cut out.

2. You now have the shape for the top of the hat. Adjust the pattern size by cutting into the notches so that the tabs fit inside the hat band.

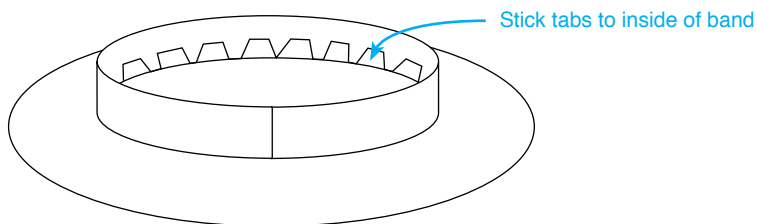
STEP THREE : Make the brim

1. Mark the centre of an A3 or similar sized piece of card.
2. Cut out the *brim* pattern. The pattern is **quarter-sized** so it needs rotating four times.

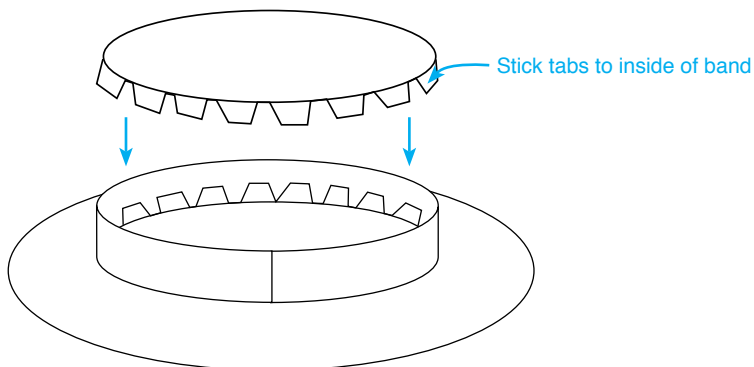


STEP FOUR : Put it all together

1. Put the *band* on top of the *brim* and glue or stick the tabs to the inside.

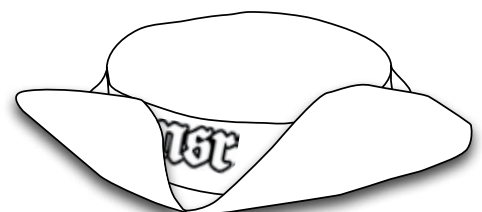


1. Glue or stick the *top* to the *band*. Again, flaps on the inside of the band

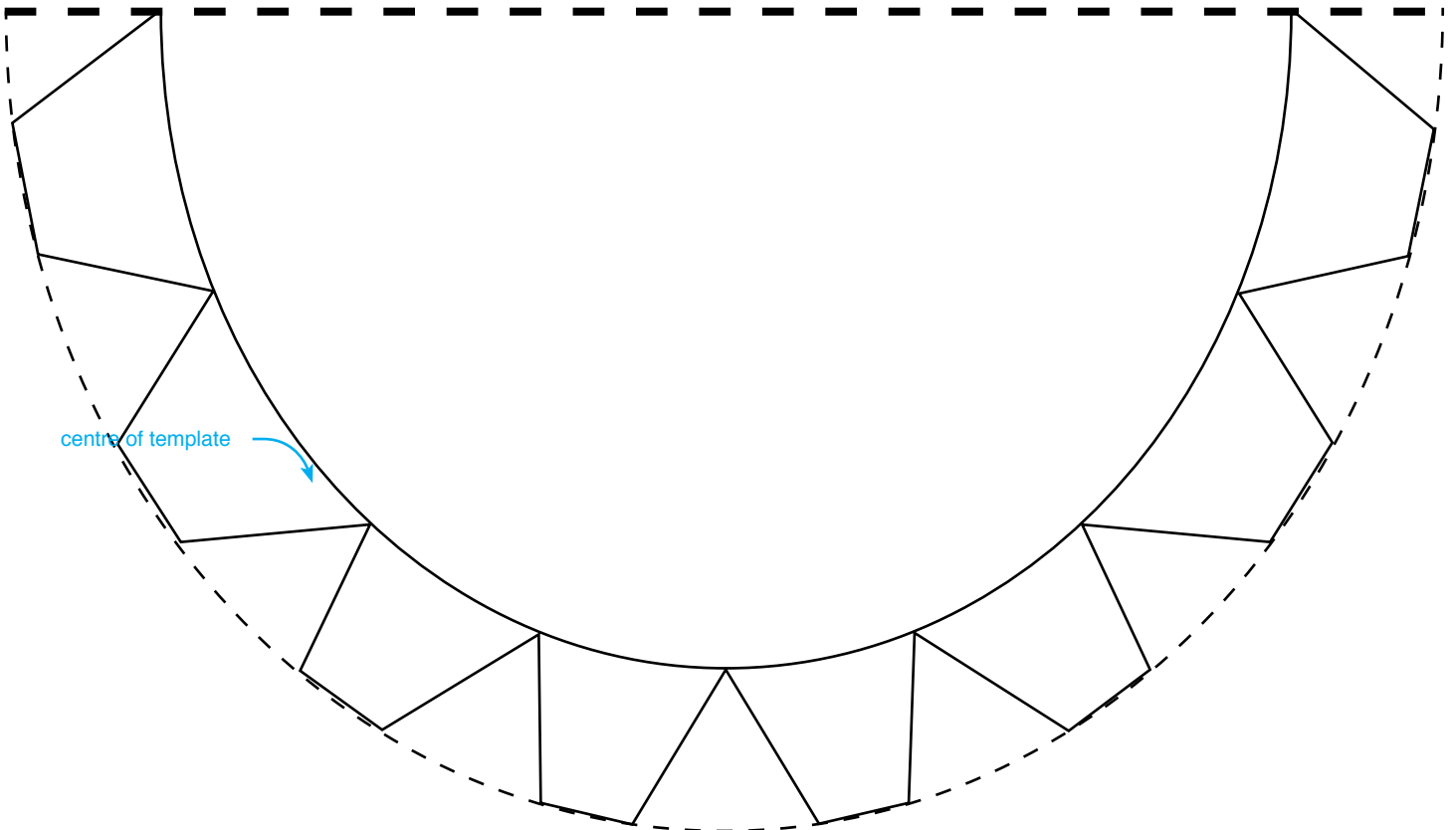


STEP FIVE: Finish it off

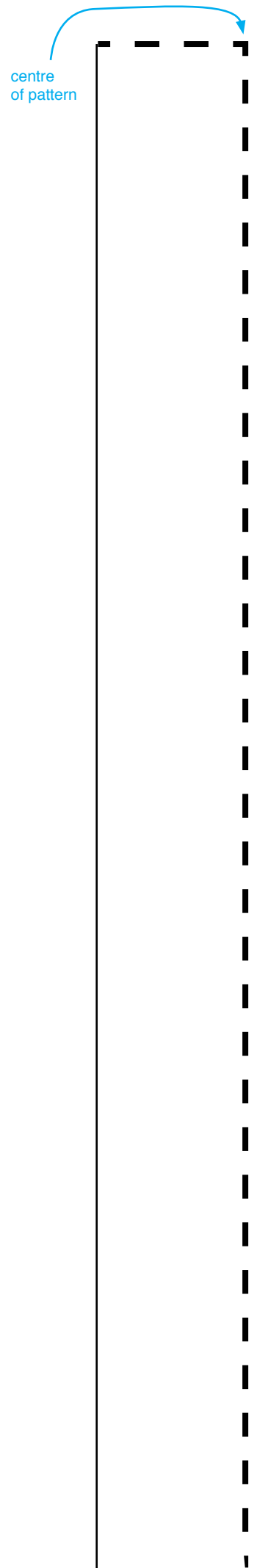
Curl up three corners and stick to the top of the band. Grab your sword, rum and pegleg and get down to HPP!

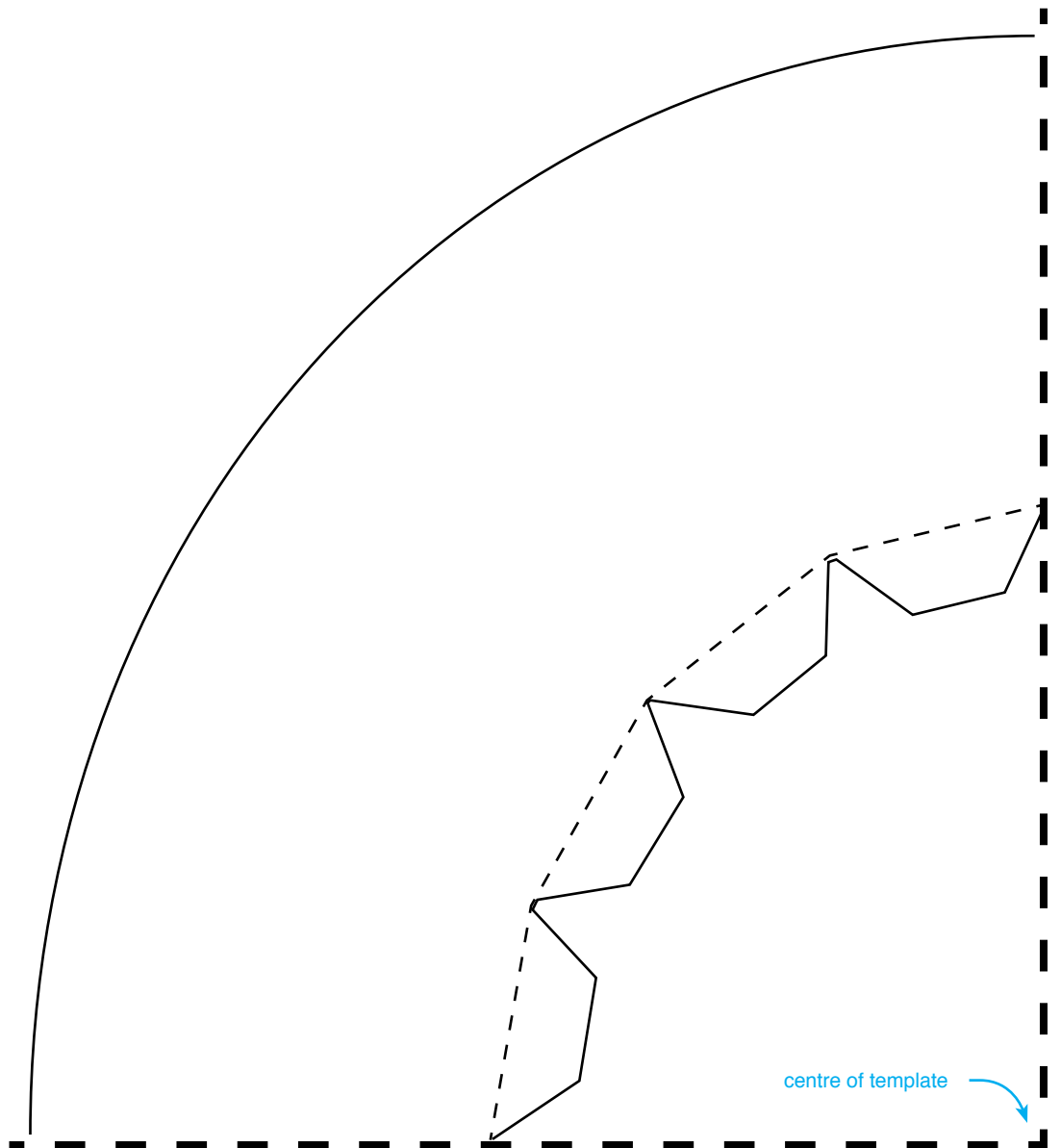


Fold this paper here and cut through both shapes to make a full pattern



TEMPLATES : hat band





centre of template